



Features

- 15" Flat Panel with Resistive or P-Cap Touchscreen
- Intel 6th Gen. Core i3/i5 CPU
- Optional Sunlight Readable LCD
- DDR4 2133MHz memory, up to 16GB
- Aluminum Housing with IP66 Protected Front
- Fanless Design with Wide Range 9~36VDC Power Input
- Optional PoE (Power over Ethernet) LAN Port

Technical Specifications

System

Processor	Intel® 6th Gen Core i3/i5 CPU
Chipset	SoC
Storage	1x 2.5" SATA Drive bay for SATA3 SSD/HDD
Storage Support	1 x SD Slot
Memory	DDR4 SO-DIMM
Security	TPM 2.0
Memory (RAM)	4GB, 8GB, 16GB

Display

Screen Size	15"
Type of Backlight	TFT-LCD
Screen Resolution	1024 x 768
Display Ratio	4:3
Contrast Ratio	800:1
Brightness	300nit, Optional High Brightness 1000nit
Viewing Angle	160 H / 160 V, with High Brightness 160 H / 150 V
Number of Colors	Optional 16.7M

Touch Screen

Touchscreen	Resistive, Optional Projected Capacitive
Light Transmission	Over 80%, P-Cap Over 90%
Interface	USB

Battery

Battery	Optional UPS Battery 21W/10.8V/1.95Ah (3S1P)
---------	--

Power

DC Input	9 - 36V
Power Adapter	Optional

Expansion Slots

Mini PCIe Slot (internal)	1 x Internal Mini-PCIe slot full size
Other Expansion	1 x SD Slot up to 32GB

Operating Temperature

Operating Temperature	0° to 50° C or 32° to 122° F
Storage Temperature	-20° to 60° C or -4° to 140° F
Humidity Range	10% to 90% @ 40° C or 104° F Non-Condensing

Cooling System / Thermal Solution

Thermal Solution	Passive - Fanless with Heatsink
------------------	---------------------------------

Dimensions / Weight

Weight (kg)	4.4200
Dimensions	410 x 310 x 55 mm

Enclosure

Bezel	IP66 Protected
Material	Aluminum
Mounting	Panel Mount, VESA Mount

Peripherals & Devices

Accessories	<ul style="list-style-type: none"> • 2x RS-232 DB-9 + 1 x Mini-PCIe slot via daughterboard • 2x CAN bus via daughterboard • 2x USB 2.0 type A + 1 x Mini-PCIe slot + 1x RS-232 DB-9 via daughterboard • 2x USB 2.0 type A via daughterboard • UPS battery 21W/10.8V/1.95Ah(3S1P)
Extra Features	Optional PoE (Power over Ethernet)



All specifications are subject to change without notice.

15" Fanless Panel PC | TP-5045-15

15" Core i3/i5 Fanless Touchscreen Computer

I/O Ports

USB	2x USB 3.0 Type A
Serial	1x RS-232/422/485 DB-9 COM1 (Default RS-232), 1x RS-232 DB-9 COM2
Video	1x HDMI
Ethernet	2x RJ45 GbE
DC Jack	1x 2-Pin DC Power Switch Connector 1x 3-Pin Terminal Block Input
Audio In/out	1x Audio Line Out

Certification

Certification CE / FCC Class A Certification

Warranty

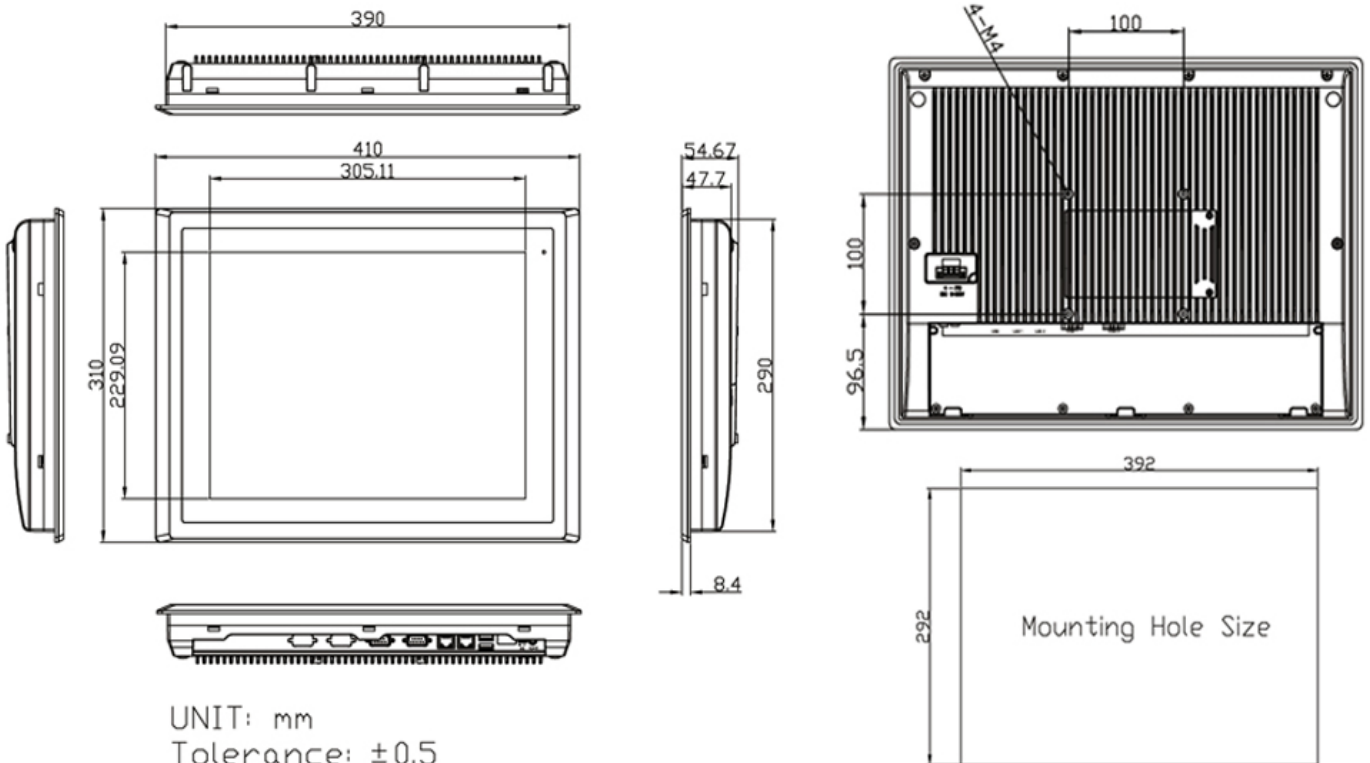
Warranty 1 Year Parts & Labor Standard

Inputs / Outputs

- 2x USB 3.0 Type A
- 1x RS-232/422/485 DB-9 COM1 (Default RS-232)
- 1x RS-232 DB-9 COM2
- 2x RJ45 GbE LAN Ports
- 1x 2-Pin DC Power Switch Connector
- 1x 3 Pin Terminal Block Power Input
- 1x Audio Line Out
- 1x HDMI Video Port



Technical Drawings



Glacier Computer
603.882.1560 Ext. 6
sales@glaciercomputer.com
www.glaciercomputer.com

All specifications are subject to change without notice.