



## Features

- 8" Gorilla Glass Touchscreen
- Qualcomm MSM8953 Octacore Processor
- Android 10 GMS Operating System
- Optional 2D Barcode Scanner & NFC
- MIL-STD-810G Rated

## Technical Specifications

### Primary Components

Processor Family	Qualcomm Snapdragon 625 8 Core
Processor Model	MSM8953 OctaCore
Processor Speed	2.0 GHz
Memory Type	Onboard DDR3
Memory Support	4GB
Storage type	Onboard eMMC Flash
Storage support	64GB

### Display

Screen Size	8"
Resolution	1280 x 800 (WXGA)
Screen Ratio	16:10
Brightness	450 nits
Viewing Angle	
Number of Colors Supported	

### Touch Screen

Touch Screen	
Light Transmission	
Hardness	> 7H
Glass type	Gorilla Glass
Glass Thickness	
Lifetime Usage	

### Expansion Slots

Internal Mini PCIe	
Internal M.2	
PCI	No
PCIe Slot	
video card support	Adreno 506 1920x1200 @ 60 fps
SD card	1x Micro SD Slot
Other	PIN Expansion

### Multimedia

Speakers	1x 0.8W Speaker
Camera	Front: 5MP, Rear: 13MP
Microphone	Built-in Microphone
Phone	

### Thermal and Environmental

Operating Temperature	Array (-4°F – 131°F)
Storage Temperature	Array (-22°F – 158°F)
Humidity Range	95% Non-condensing
Storage Humidity	5% – 95% Non-condensing
Cooling Solution	Passive – Fanless

**External I/O ports**

USB	1x USB 3.0, 1x USB Type C (USB 3.0, HDMI, Charging)
Serial / Com	
Ethernet / LAN	
Video Outputs	1x Mini HDMI Type C
Video Inputs	
Docking Connector	Yes
Audio	1x 3.5mm Headphone Jack
Power Input Port	3.5mm DC-in Jack, Pogo Pin Connector

**Enclosure**

Material	Double Injection
Ip Rating	IP67
Color	Black
Antibacterial Housing	
Led Indicator Light	Charging Indicator
Control Buttons	Audio Down, Audio Up, Power Button
Programmable Function Buttons	1x Programmable Function Key
Shock Rating	MIL-STD-810G
Vibration Rating	
Drop Rating	4ft Drop Protection
Mounting Options	Forklift Mount, Vehicle Mount
Approved Cleaning Solutions	3M HB Quat, Acetone, Alcohol, Ammonium Nitrate (low concentration), Antigone, Betasept, Bleach, Caviwipes, Chloride, CIDEX, Control III Disinfectant Germicide, Dispatch Disinfectant Cleaner CLH69101, Incidin, Isopropyl Alcohol, LpH se, MikroBac, Mikrozyd, Peridox, Puregreen 24 Disinfectant, SDW 70C, Sodium Hypochlorite, SporeClear, Trigene, Viraguard, Virkon, Windex

**Power**

Input Voltage Range	
Max Power consumption	
Standard Power Adapter	US AC/DC USB 5V Power Supply

**Peripherals & Wireless Connectivity**

WiFi	Dual-Band WIFI (802.11 a/b/g/n/ac)
BlueTooth	Bluetooth 4.1
GPS	yes
Mobile Network 4G LTE	*Not Certified for USA Carrier Networks
Sim card	1x Micro SIM Card Slot
Barcode Scanner	Optional 1D/2D Barcode Scanner
RFID	NFC 13.56Mhz IEC-14443A/B, 15693, 18092, Mifare
Smartcard Reader	
Sensors	Accelerometer, Light Sensor, Gyroscope, Compass

**Glacier Computer**

603.882.1560 Ext. 6

[sales@glaciercomputer.com](mailto:sales@glaciercomputer.com)[www.glaciercomputer.com](http://www.glaciercomputer.com)

## Battery

Type	Internal 3.7V/8500mAh Battery
Operating Time	8hrs (Default 50% volume, 50% Brightness, Playing 1080P Video)
Quantity	1x Battery

## Operating Systems

Windows	
Android	Android 10
Linux	

## Compatibility

Security Hardware
Software
Cellular Carriers
Applications

## Dimensions / Weight

Weight	0.71 KG (1.6 lbs)
Dimensions	288 x 145 x 16.5 mm (11.3 x 5.7 x 0.6 in)

## Certification

Certifications	CE
GMS Certified	Yes Global

## Warranty

Warranty	Up to 3 Years
----------	---------------

## Inputs / Outputs

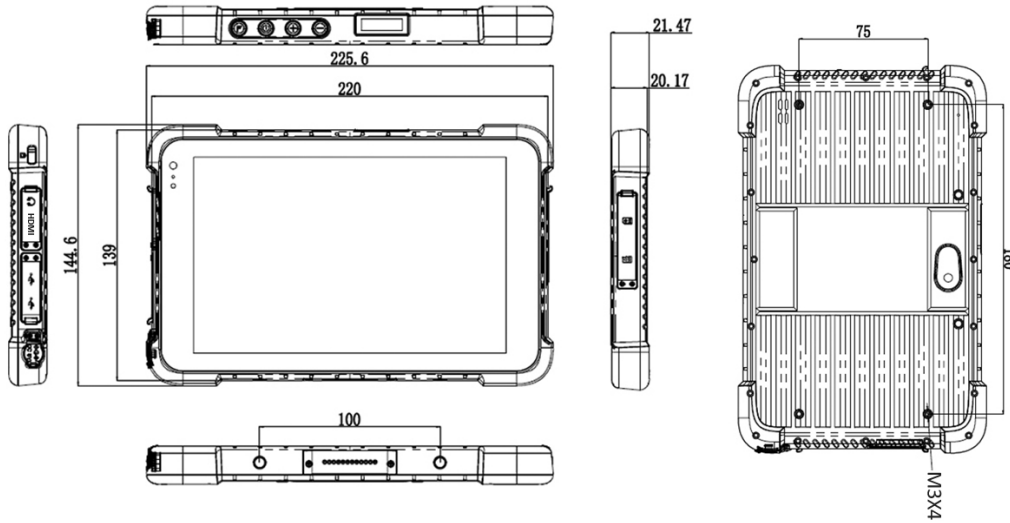
Default image

Image not found or type unknown



**Glacier Computer**  
603.882.1560 Ext. 6  
[sales@glaciercomputer.com](mailto:sales@glaciercomputer.com)  
[www.glaciercomputer.com](http://www.glaciercomputer.com)

Technical Drawings



*All specifications are subject to change without notice.*