



Features

- 15" Resistive or P-Cap Touchscreen
- Intel 6th Generation Core i3/i5 CPU
- Optional Sunlight Readable LCD
- DDR4 2133MHz memory, up to 16GB
- Aluminum Housing, Fanless Sedign, IP66 Protected Front
- Wide Range 9~36VDC Power Input & Optional PoE

Technical Specifications

Primary Components

| | |
|------------------|--|
| Processor Family | Intel Core I series 6th Generation Skylake |
| Processor Model | Core i3-6100U |
| Processor Speed | 2.3 GHz |
| Memory Type | 1x DDR4 SO-DIMM |
| Memory Support | 4GB, 8GB, 16GB |
| Storage type | 1x 2.5" SATA Drive Bay for SSD/HDD |
| Storage support | 32GB-1TB |

Display

| | |
|----------------------------|--|
| Screen Size | 15" |
| Resolution | 1024 x 768 (XGA) |
| Screen Ratio | 4:3 |
| Brightness | 420 nits, Optional 1000 nit High Brightness |
| Contrast Ratio | 800:1 |
| Viewing Angle | 160° (H), 160° (V), 160° (H), 150° (V) High Brightness |
| Number of Colors Supported | 16.7M |

Touch Screen

| | |
|--------------------|--|
| Touch Screen | Projected Capacitive, Resistive |
| Light Transmission | Over 80% (Resistive), Over 90% (P-Cap) |

Expansion Slots

| | |
|--------------------|----------------------|
| Internal Mini PCIe | 1x Mini-PCIe |
| SD card | 1x Full Size SD Slot |

Multimedia

Thermal and Environmental

| | |
|-----------------------|---------------------------------|
| Operating Temperature | Array (32°F – 122°F) |
| Storage Temperature | Array (-4°F – 140°F) |
| Humidity Range | 10% – 90% Non-condensing |
| Cooling Solution | Passive – Fanless with Heatsink |



External I/O ports

| | |
|------------------------|--|
| USB | 2x USB 3.0 |
| Serial / Com | 2x COM |
| Serial Protocol Detail | 1x RS-232/422/485 DB-9, default RS-232(COM1), 1x RS-232 DB-9(COM2) |
| Ethernet / LAN | 2x RJ45 GbE LAN |
| Video Outputs | 1x HDMI |
| Other Ports | 1x 2-Pin DC Power Switch Connector |
| Audio | 1x Audio Line-Out |
| Power Input Port | 3-Pin DC-In (Phoenix Type) |

Power

| | |
|------------------------|----------------------------|
| Input Voltage Range | 9-32V DC |
| Standard Power Adapter | Optional 12V AC/DC Adapter |

Battery

Operating Systems

| | |
|---------|-------------------------------|
| Windows | Windows 10 IoT, Windows 7 Pro |
|---------|-------------------------------|

Compatibility

| | |
|-------------------|---------|
| Security Hardware | TPM 2.0 |
|-------------------|---------|

Enclosure

| | |
|------------------|-------------------------|
| Material | Aluminum |
| Ip Rating | IP66 Front Bezel |
| Mounting Options | Panel Mount, VESA Mount |

Peripherals & Wireless Connectivity

Dimensions / Weight

| | |
|------------|--|
| Weight | 4.42 KG (9.7 lbs) |
| Dimensions | 410 x 310 x 55 mm (16.1 x 12.2 x 2.2 in) |

Certification

| | |
|----------------|-----------------|
| Certifications | CE, FCC Class A |
|----------------|-----------------|

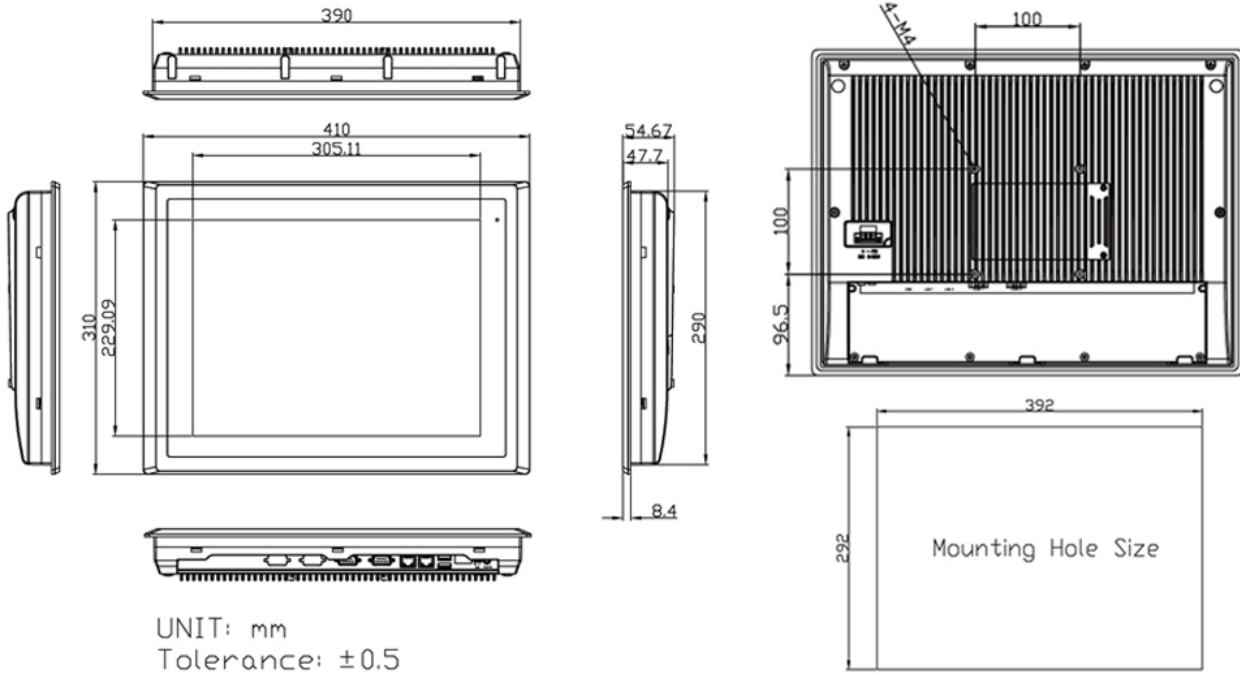
Warranty

| | |
|----------|--------|
| Warranty | 1 Year |
|----------|--------|

Inputs / Outputs



Technical Drawings



All specifications are subject to change without notice.



Glacier Computer
603.882.1560 Ext. 6
sales@glaciercomputer.com
www.glaciercomputer.com