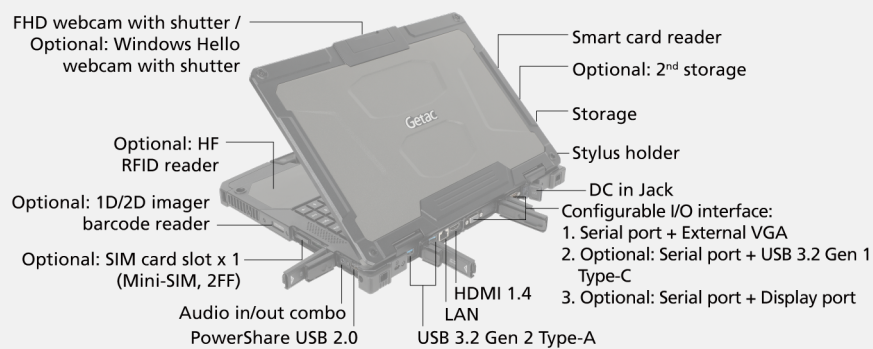




## B360 FULLY RUGGED NOTEBOOK

- MIL-STD 810H, 6ft operating drop rating, IP66 certified, and optional salt fog resistant
- 10th Generation Intel® Core™ Processor
- 13.3" FHD LumiBond® display with Getac sunlight readable technology (1,400 nits) and capacitive touchscreen
- Enhanced enterprise security with optional dual user replaceable storage, Windows Hello face-authentication camera, integrated 1D/2D imager barcode reader and multi-factor authentication options
- LifeSupport™ battery swappable technology



**GLACIER COMPUTER**  
603.882.1560. ext 6  
[sales@glaciercomputer.com](mailto:sales@glaciercomputer.com)  
<https://glaciercomputer.com>

# B360 FULLY RUGGED NOTEBOOK

## SPECIFICATIONS

### Operating System

Windows 10 Pro  
Windows 11 Pro

### Mobile Computing Platform

Intel® Core™ i5-10210U Processor 1.6GHz  
Max. 4.2GHz with Intel® Turbo Boost Technology  
- 6MB Intel® Smart Cache

#### Platform options:

Intel® Core™ i5-10310U vPro™ Processor 1.7GHz  
Max. 4.4GHz with Intel® Turbo Boost Technology  
- 6MB Intel® Smart Cache

Intel® Core™ i7-10510U Processor 1.8GHz  
Max. 4.9GHz with Intel® Turbo Boost Technology  
- 8MB Intel® Smart Cache

Intel® Core™ i7-10610U vPro™ Processor 1.8GHz  
Max. 4.9GHz with Intel® Turbo Boost Technology  
- 8MB Intel® Smart Cache

Intel® Core™ i7-10710U Processor 1.1GHz  
Max. 4.7GHz with Intel® Turbo Boost Technology  
12MB Intel® Smart Cache

### VGA Controller

Intel® UHD Graphics

### Display

13.3" IPS TFT LCD FHD (1920 x 1080)  
Protection film  
1,400 nits LumiBond® display with Getac sunlight readable technology  
Capacitive multi-touch screen

### Storage & Memory

8GB DDR4  
Optional: 16GB / 32GB / 64GB DDR4  
256GB PCIe NVMe SSD  
Optional: 512GB / 1TB PCIe NVMe SSD  
Optional 2<sup>nd</sup> storage †: 256GB / 512GB / 1TB SATA SSD

### Keyboard

LED backlit membrane keyboard  
Optional: LED backlit rubber keyboard

### Pointing Device

Touchscreen  
- Capacitive multi-touch screen  
Touchpad  
- Touchpad with two buttons

# B360 FULLY RUGGED NOTEBOOK

<b>Expansion Slots</b>	Smart card reader x 1 Optional: 1D / 2D imager barcode reader
<b>I/O Interface</b>	FHD webcam x 1 Audio in/out combo x 1 DC in Jack x 1 PowerShare USB 2.0 x 1 USB 3.2 Gen 2 Type-A x 2 LAN (RJ45) x 1 HDMI 1.4 x 1 Docking connector x 1 Optional: SIM card slot x 1 (Mini-SIM, 2FF) Optional: Windows Hello face-authentication camera (front-facing) x 1 Optional: RF antenna pass-through for GPS, WWAN and WLAN Configurable I/O options <sup>ii</sup> : 1. Serial port (9-pin; D-sub) x 1 + External VGA (15-pin; D-sub) x 1 2. Serial port (9-pin; D-sub) x 1 + USB 3.2 Gen 2 Type-C x 1 3. Serial port (9-pin; D-sub) x 1 + Display port x 1 4. Serial port (9-pin; D-sub) x 1 + External VGA (15-pin; D-sub) x 1 + 2nd LAN (RJ45) x 1 5. Serial port (9-pin; D-sub) x 1 + Display Port x 1 + 2nd LAN (RJ45) x 1
<b>Communication Interface</b>	10 / 100 / 1000 base-T Ethernet Intel® Wi-Fi 6 AX200, 802.11ax Bluetooth (v5.2) <sup>iii</sup> Optional: Dedicated GPS <sup>iv</sup> Optional: 4G LTE mobile broadband with integrated GPS <sup>iv,v</sup>
<b>Security Features</b>	TPM 2.0 Kensington lock Optional: Fingerprint reader <sup>xi</sup> Optional: HF RFID reader <sup>vi, xi</sup> Smart card reader
<b>Power</b>	AC adapter (90W, 100-240VAC, 50/60Hz) Li-ion battery (11.1V, typical 2100mAh; min. 2040mAh) x 2 LifeSupport™ battery swappable technology
<b>Dimension (W x D x H) &amp; Weigh</b>	342 x 281 x 34.9 mm (13.46" x 11.06" x 1.37") 2.32kg (5.11lbs) <sup>vii</sup>



## GLACIER COMPUTER

603.882.1560. ext 6

[sales@glaciercomputer.com](mailto:sales@glaciercomputer.com)

<https://glaciercomputer.com>

# B360 FULLY RUGGED NOTEBOOK

## Rugged Feature

MIL-STD-810H certified  
IP66 certified  
MIL-STD-461G certified <sup>viii</sup>  
Vibration & 6ft (1.8m) drop resistant  
Optional: ANSI/UL 121201, CSA C22.2 NO. 213 (Class I, Division 2, Groups A, B, C, D) <sup>xiv</sup>  
Optional: Salt fog certified

---

## Environmental Specification

Temperature <sup>ix</sup>:  
- Operating: -29°C to 63°C / -20°F to 145°F  
- Storage: -51°C to 71°C / -60°F to 160°F  
Humidity:  
- 95% RH, non-condensing

---

## Pre-installed software

Getac Utility  
Getac Geolocation  
Getac Barcode Manager <sup>ix</sup>  
Optional: Absolute Persistence®

---

## Optional software

Getac Driving Safety Utility  
Getac Device Monitoring System (GDMS)  
Getac VGPS Utility <sup>xii</sup>

---

## Accessories

Battery (11.1V, typical 2100mAh; min. 2040mAh)  
AC adapter (90W, 100-240VAC)  
Capacitive stylus with tether

### Optional:

Carry bag  
Battery (11.1V, typical 2100mAh; min. 2040mAh)  
Multi-Bay charger (Dual-Bay)  
Multi-Bay charger (Eight-Bay)  
AC adapter (90W, 100-240VAC)  
Office dock AC adapter (120W, 100-240VAC)  
MIL-STD-461 AC adapter (90W, 100-240VAC)  
DC-DC vehicle adapter (120W, 11-32VDC)  
Capacitive stylus with tether  
Protection film  
Vehicle cradle <sup>xiii</sup>  
Vehicle dock <sup>xiii</sup>  
Office dock  
Spare SSD kit  
100W Type-C adapter

---



**GLACIER COMPUTER**

603.882.1560, ext 6

[sales@glaciercomputer.com](mailto:sales@glaciercomputer.com)

<https://glaciercomputer.com>

**Getac**