



Features

- 12.1" True Flat Panel Touch Screen
- Intel Bay Trail Quad Core N2930 1.83GHz CPU
- Onboard DDR3L 4GB Memory
- Optional PoE (Power over Ethernet)
- IP65 Protected Front Bezel
- 2 Pin Connector for Power Switch

Technical Specifications

System

Processor	Intel® Celeron N2930
CPU Performance	1.83GHz
Chipset	SoC
Storage	2.5" SATA 2 Drive
Storage Support	1 x SD Slot
Memory (RAM)	4GB, 8GB

Display

Screen Size	12.1"
Type of Backlight	TFT-LCD
Screen Resolution	800x600
Display Ratio	4:3
Contrast Ratio	800:1
Brightness	450 (cd/m ²)
Viewing Angle	160/140

Touch Screen

Light Transmission	Over 80%
Interface	USB

I/O Ports

USB 3.0	2 x USB 3.0
Serial	1 x RS-232 DB-9(COM2), 1 x RS-232 with Optional RS-232 /422/485 DB-9 Setting
Video	1x HDMI
Ethernet	2 x RJ45 GbE
Other Ports	1 X 2-Pin DC Power Switch Connector
DC Jack	Input with 3 Pin Terminal Block 9-36V DC
Audio In/out	1 x Audio Line Out Phone Jack

Operating System

Operating System	Windows 10 Pro, Windows 10 IoT, Windows 8.1 Embedded, Windows 7 Embedded
------------------	--

Power

DC Input	9 - 36V
Power Adapter	Optional

Expansion Slots

Mini PCIe Slot (internal)	1 x Internal Mini-PCIe slot full size
---------------------------	---------------------------------------

Operating Temperature

Operating Temperature	0°-50° C or 32°-122° F
Storage Temperature	-20°-60° C or -4°-140° F
Humidity Range	10% to 90% @ 40° C or 104° F Non-Condensing

Cooling System / Thermal Solution

Thermal Solution	Passive - Fanless with Heatsink
------------------	---------------------------------

Dimensions / Weight

Weight (kg)	2.5000
Dimensions	319 x 245 x 52 mm

Enclosure

Bezel	IP65 Protected
Material	Aluminum
Mounting	Panel Mount, VESA Mount
Cleaning Instructions	Recommend warm water with soft cloth. Not recommended to clean with chlorine, acetone, or methyl alcohol.

Peripherals & Devices

Extra Features	Optional PoE (Passive 802.3af Mode B)
----------------	---------------------------------------

Certification

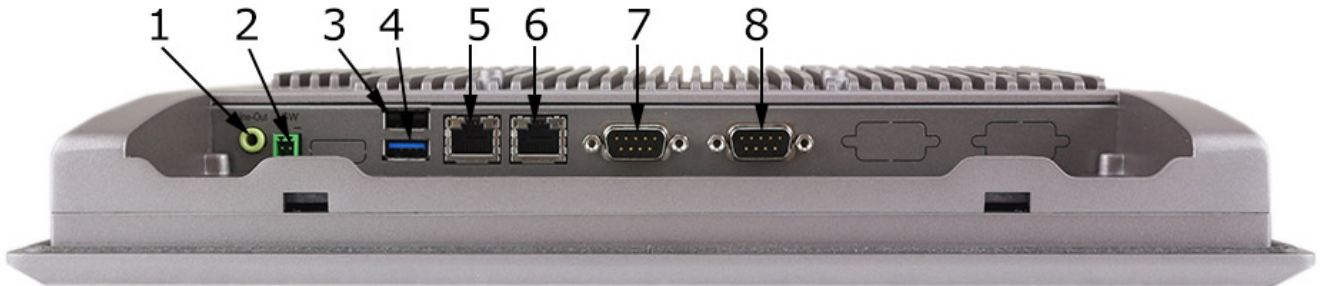
Certification	CE / FCC Class A Certification
---------------	--------------------------------

Warranty

Warranty	1 Year Parts & Labor Standard
----------	-------------------------------

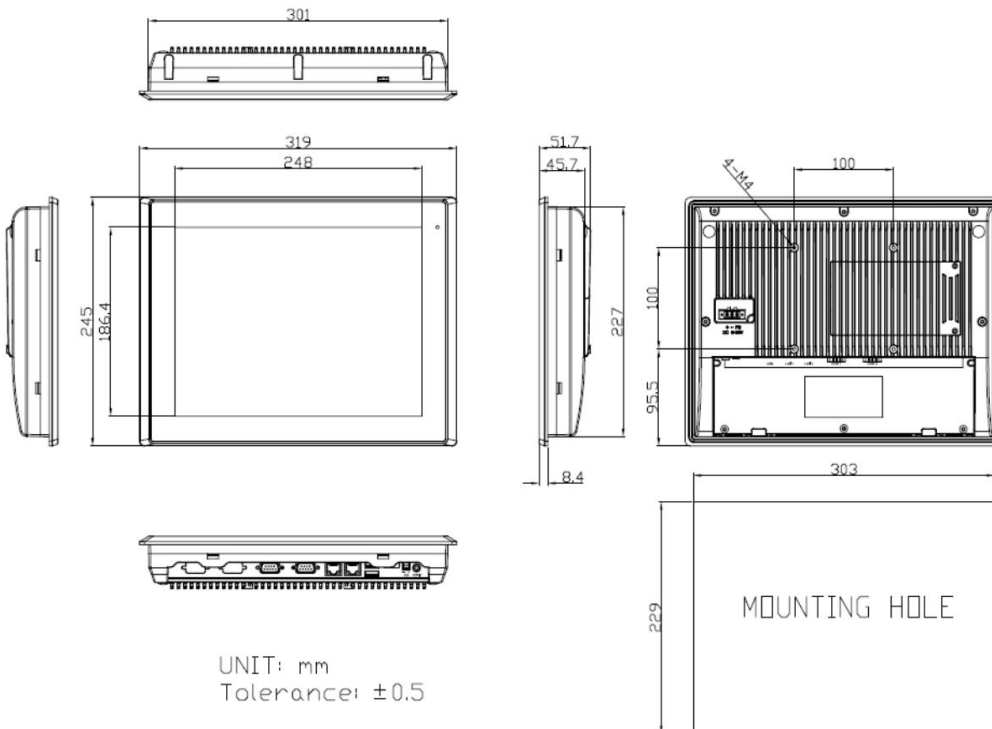
All specifications are subject to change without notice.

Inputs / Outputs



- | | |
|-------------------------------------|-------------------|
| 1. Audio Line Out | 5. LAN RJ-45 Port |
| 2. 2 Pin Connector for Power Switch | 6. LAN RJ-45 Port |
| 3. USB 2.0 Type A | 7. Com Port 1 |
| 4. USB 3.0 Type A | 8. Com Port 2 |

Technical Drawings



For more Information Contact:
Glacier Computer, LLC
866-724-6257 x 6
sales@glaciercomputer.com